

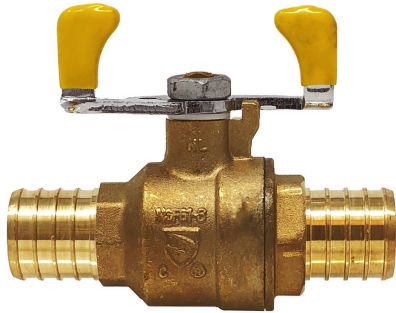


BELVEN

Brass Ball Valve

FIG.BBV-600XWND

600 WOG FULL PORT BRASS BALL VALVE PEX*PEX WING HANDLE



Features:

- Dezincification Resistant (DZR) Lead Free Brass Material
- PEX end Conform To ASTM F1807
- Forged Brass Body
- Blow Out Proof Stem Design
- Packing Nut, O-RING & Packing On The Stem Seal
- Stainless Steel Ball
- Handle With Vinyl Grip

Performance Rating:

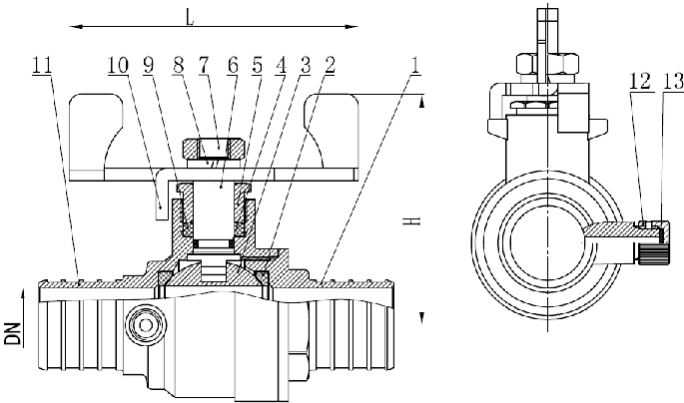
- 600 psi (WOG) 150 psi (WSP) Service
- Temperature Range : -20° F to 300° F

Material List:

No	Part Name	QTY	Material
1	Body	1	Lead Free Brass
2	Seat	2	PTFE
3	Ball	1	Stainless Steel
4	O-Ring	1	NBR
5	Packing Nut	1	Brass
6	Stem	1	Brass
7	Handle Nut	1	Plated Steel
8	Lock Washer	1	Plated Steel
9	Packing	1	PTFE
10	Handle	1	Plated Steel
11	Cap	1	Lead Free Brass
12	Screw	1	Brass
13	Gasket	1	EPDM

Approvals:

CSA:	1/2" - 1" Per NSF/ANSI-61, NSF/ANSI-372, IGC-157
------	--



Dimensions: (mm)

SIZE	DN	W	H	L
1/2"	9	67.5	45.2	50
3/4"	13.5	71.5	49.5	50
1"	18.1	86	56.2	68