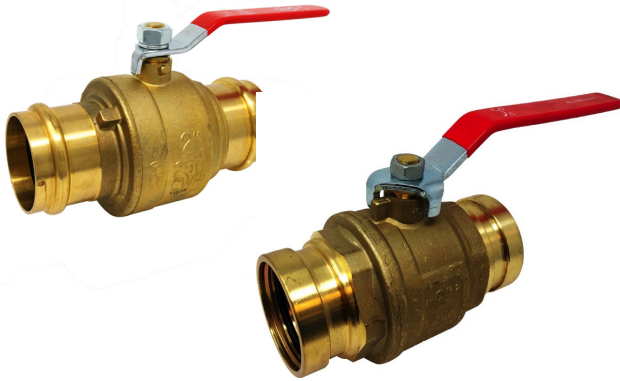


LEAD-FREE FULL PORT BALL VALVES

FIG.BBV-250PLN

250 WOG LEAD-FREE FULL PORT FORGED BRASS PROPRESS BALL VALVE



Features:

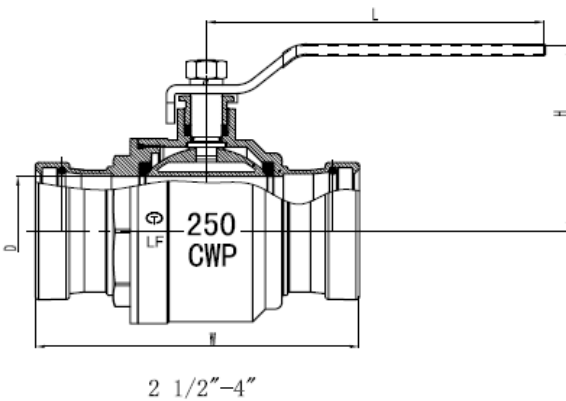
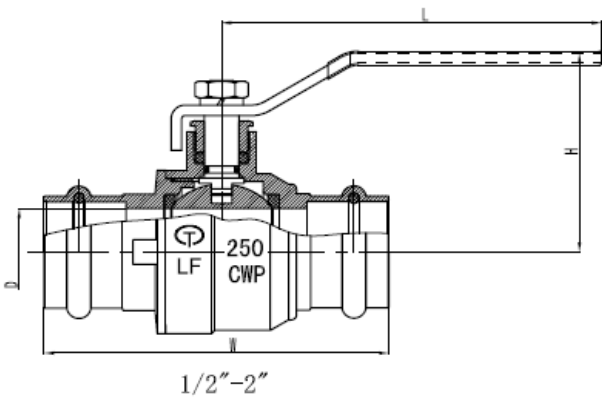
- Dezincification Resistant (DZR) Lead Free Brass Material
- PRESS conform IAPMO PS117
- Forged Brass Body
- Blow Out Proof Stem Design
- Packing Nut, O-RING & Packing On The Stem Seal
- Stainless Steel Ball
- Handle With Vinyl Grip

Performance Rating:

- 250 psi (CWP) 150 psi (WSP) Service
- Temperature Range : -20° F to 300° F

Material List

Part Name	Material
Body	Lead Free Brass
Seat	PTFE
Ball	Stainless Steel
Stem O-Ring	NBR
Packing Nut	Brass
Stem	Brass (1/2" - 2")
	Stainless Steel(2 1/2" - 4")
Lock Nut	Ferrum /Zinc Plated
Lock Washer	Ferrum /Zinc Plated
Packing	PTFE
Handle	Ferrum /Chrome Plated
Cap	Lead Free Brass
Body O-Ring	NBR
Press O-Ring	EPDM



Dimensions: (inch)

SIZE	D	L	H	W	Cv
1/2"	0.591	3.46	1.81	3.15	18.55
3/4"	0.748	4.29	2.09	3.60	29.76
1"	0.984	4.29	2.25	3.92	51.55
1 1/4"	1.259	5.63	2.52	4.41	84.42
1 1/2"	1.574	5.63	2.74	5.35	131.93
2"	1.941	5.63	3.03	6.79	200.35
2 1/2"	2.520	7.76	4.25	7.46	338.43
3"	2.874	8.19	4.58	8.17	445.44
4"	3.839	9.25	5.49	9.88	783.88