



BELVEN

FIG.BCVT-2T

## Brass Check Valve

### 200 WOG BRASS SWING CHECK VALVE T-PATTERN NPT END

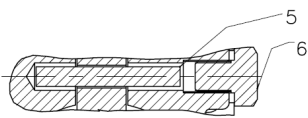
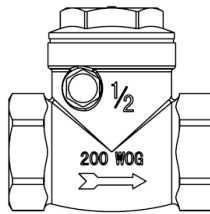
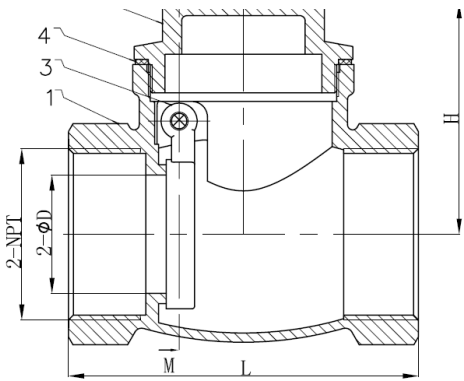


#### Features:

- Valves conform to: MSS SP-80, Type 2
- Threaded Ends per ANSI B1.20.1

#### Performance Rating:

- The Max .Working Pressure 200PSI
- Working Temperature 32°F - 212°F



M-M Section view

#### Material List:

| NO. | Part Name | QTY | Material |
|-----|-----------|-----|----------|
| 1   | Body      | 1   | Brass    |
| 2   | Bonnet    | 1   | Brass    |
| 3   | Disc      | 1   | Brass    |
| 4   | Washer    | 1   | Fiber    |
| 5   | Pin       | 1   | Brass    |
| 6   | Bolt      | 1   | Brass    |

#### Dimensions: (mm)

| SIZE   | ØD   | L   | H    |
|--------|------|-----|------|
| 1/2"   | 13   | 50  | 35   |
| 3/4"   | 18.5 | 56  | 39.5 |
| 1"     | 23   | 68  | 45   |
| 1 1/4" | 21   | 75  | 53.5 |
| 1 1/2" | 36   | 80  | 59.5 |
| 2"     | 48   | 95  | 66   |
| 2 1/2" | 56   | 118 | 81.5 |
| 3"     | 76   | 140 | 90   |
| 4"     | 96   | 160 | 109  |