

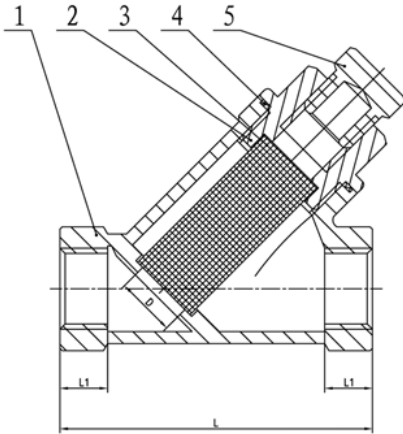
Brass Valve

CLASS 150 BRASS Y - STRAINER NPT ENDS



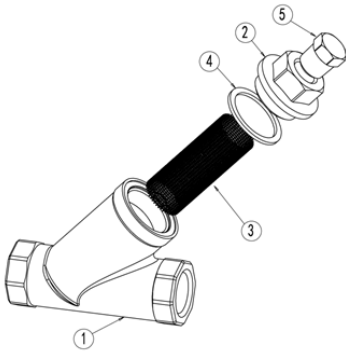
Features:

- Screw-in Cap, Brass body & bonnet, Stainless Steel Strainer, NPT ends.
Valves comply to: MSS SP-25
- Working pressure: 150 WOG
- Threaded ends to: ANSI B1.20.1



Material List:

No.	Part Name	Specification
1	Body	Brass
2	Bonnet	Brass
3	Strainer	Stainless Steel
4	Spring Seal	PTFE
5	End Cap	Brass



Dimensions:

Size		D	L		L1		Weight	
in	mm		in	mm	in	mm	lbs.	kg
½	15	Ø16	3.13	79.5	0.39	10	0.64	0.3
¾	20	Ø19	3.43	87	0.6	15	0.89	0.4
1	25	Ø25	4.1	104	0.63	16	1.52	0.7
1 ¼	32	Ø33	1.9	124.5	0.75	19	2.51	1.15
1 ½	40	Ø39	5.6	142	0.83	21	3.22	1.45
2	50	Ø51	6.7	170	0.94	24	4.89	2.2