

Brass Gate Valve

200 WOG FORGED BRASS NRS GATE VALVE NPT ENDS

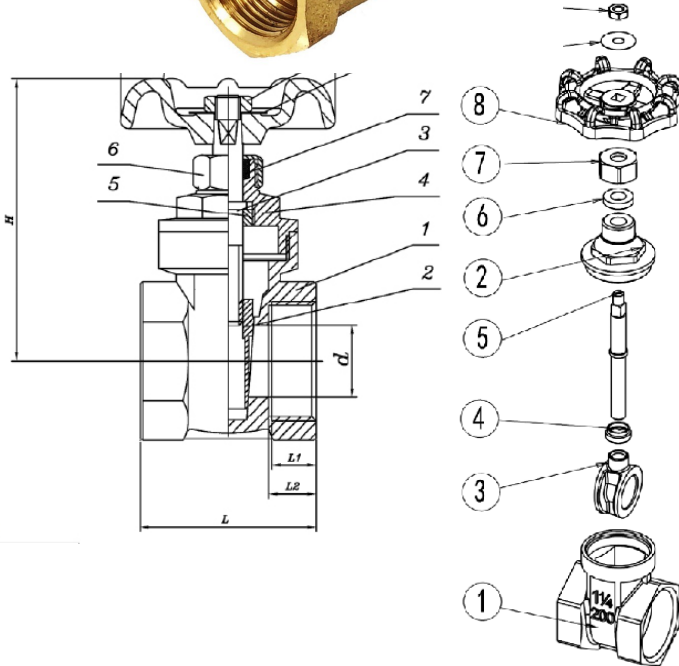


Features:

- 200 WOG, screwed bonnet, brass body & bonnet, non-rising stem, NPT ends.
- Valves comply to: MSS SP-25
- Working pressure: 200 psi
- Threaded ends to: ANSI B1.20.1

Material List:

No.	Part Name	Specification
1	Body	Brass
2	Disc	Brass
3	Stem	Brass
4	Bonnet	Brass
5	Lock Nut	Brass
6	Nut	Brass
7	Gland Packing	PTFE
8	Handwheel	Cast Iron
9	Name Plate	AL
10	Nut	Q235



Dimensions:

Size		D	d	L		L1		L2		H	
in	mm			in	mm	in	mm	in	mm	in	mm
1/4	8	Ø53	Ø11	1.65	42	0.39	10	0.47	12	2.82	71.5
3/8	10	Ø53	Ø12.5	1.65	42	0.39	10	0.47	12	2.82	71.5
1/2	15	Ø53	Ø13.5	1.65	42	0.43	11	0.49	12.5	2.9	73.7
3/4	20	Ø53	Ø19.5	1.84	46.5	0.47	12	0.53	13.5	3.37	85.7
1	25	Ø59	Ø25	2.05	52	0.55	14	0.61	15.5	3.8	96.5
1 1/4	32	Ø78	Ø31.5	2.3	58.5	0.59	15	0.65	16.5	4.36	110.7
1 1/2	40	Ø78	Ø37.5	2.45	62	0.59	15	0.69	17.5	4.88	124
2	50	Ø78	Ø48	2.76	70	0.78	18	0.79	20	5.59	142
2 1/2	65	Ø108	Ø62	3.48	88.5	0.81	20.5	0.93	23.5	7.3	185.5
3	80	Ø126	Ø76	3.82	97	0.91	23	1.02	26	8.23	209
4	100	Ø144	Ø98	4.57	116	1.18	30	1.34	34	9.96	253