



BELVEN

## BRONZE GLOBE VALVE

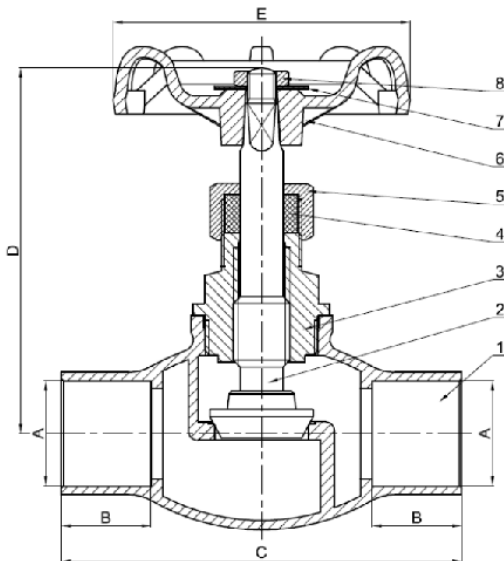
FIG.BZGL-150CU

### CLASS 150 BRONZE GLOBE VALVE SOLDER JOINT ENDS UNION BONNET TEFLON DISC



#### Features:

- Rising stem, indicates open or closed valve
- Union bonnet, leak-free at higher pressure and/or temperature
- Sure-grip Handwheel for tight and easy operation
- Valve is made of ASTM registered material substantiates long-life service
- Valves conform to: MSS SP-80, Type 2
- 300# Cold Working Pressure
- Union Bonnet
- Renewable PTFE disc
- Integral seats



#### Materials:

No.	Part Name	Specification
1	Body	C83600
2	Stem	HPb57-3
3	Bonnet	C83600
4	Packing	Graphite
5	Packing Nut	HPb57-3
6	Handwheel (red)	HT 150
7	Identification Plate	Al
8	Handwheel Nut	Q235

#### Dimension:

Size		ØA		B		C		D		ØE		Weight	
in	mm	in	mm	in	mm	in	mm	in	mm	in	mm	lb	kg
¾	20	0.88	22.33	0.75	19.05	3.35	85	3.06	77.6	2.48	63	1.05	0.47
1	25	1.13	28.7	0.91	23.2	3.9	99	3.15	80.1	2.48	63	1.4	0.63