

BRONZE GLOBE VALVE

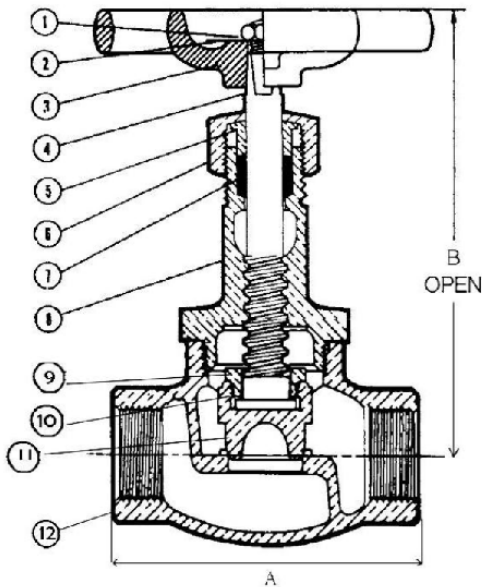
FIG.BZGL-125T

CLASS 125 BRONZE GLOBE VALVE THREADED ENDS SCREW-IN BONNET INTEGRAL SEAT



Features:

- Valves conform to: MSS SP-80
- 125 PSI/8.6 Bar Saturated Steam to 353° F / 178° C
- 200 PSI/13.8 Bar Non-Shock Cold Working Pressure
- Renewable Seat Disc



Materials:

No.	Part Name	Specification
1	Handwheel Nut	300 Series Stainless Steel
2	Identification Plate	Aluminum
3	Handwheel	Malleable Iron ASTM A 47
4	Stem	ASTM B371 ALLOY C69430
5	Packing Gland*	ASTM B16 ALLOY C36000
6	Packing Nut	ASTM B16 ALLOY C36000
7	Packing*	Aramid Fibers with Graphite
8	Bonnet	Bronze ASTM B 62
9	Disc Holder Nut	ASTM B62 ALLOY C83600
10	Disc Holder	Bronze ASTM B 62
11	Seat Disc	Bronze ASTM B62
12	Body	Bronze ASTM B62

* Packing Gland only in sizes ¼"-3"

* Packing only in sizes ½"

Dimension:

Size		A		B		Weight	
in	mm	in	mm	in	mm	lb	kg
½	15	2.56	65	3.38	86	1.03	0.47
¾	20	3.06	78	4.88	124	1.73	0.79
1	25	3.69	94	5.69	145	2.85	1.29
1 ¼	32	4.31	110	6.13	156	3.79	1.72
1 ½	40	4.69	119	7.38	187	5.9	2.68
2	50	5.63	143	7.94	202	8.68	3.94
2 ½	65	6.63	168	10.19	259	15.4	6.98
3	80	7.75	197	11.19	284	22.44	10.18