



BRONZE GLOBE VALVE

FIG.BZGL-150TU

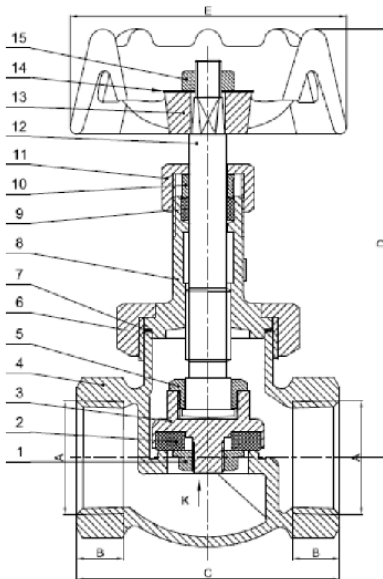
CLASS 150 BRONZE GLOBE VALVE NPT ENDS UNION BONNET TEFLON DISC



Features:

- Class 150, NPT ends, Union bonnet, B62 Bronze body, Teflon disc.
- Rising stem, indicates open or closed valve
- Union bonnet, leak-free at higher pressure and/or temperature
- Sure-grip Handwheel for tight and easy operation
- Valve is made of ASTM registered material substantiates long-life service
- Valves conform to: MSS SP-80
- Valves conform to: MSS SP-25
- 150 PSI/10.3 Bar Saturated Steam to 366° F/185°
- 300 PSI/20.7 Bar Non-Shock Cold Working Pressure
- Threaded ends per ANSI B1.20.1
- Union Bonnet
- Renewable PTFE disc
- Integral seats

Materials:



No.	Part Name	Specification
1	Disc Nut	ASTM B62/C83600
2	Seat Disc	PTFE
3	Disc Holder	ASTM B16/B62/C83600
4	Body	ASTM B62/C83600
5	Packing Nut	ASTM B16/HPb57-3
6	Union Bonnet Nut	C83600
7	Washer	Red Paper
8	Bonnet	ASTM B62C83600
9	Packing	PTFE
10	Packing Gland	ASTM B16/HPb57-3
11	Packing Nut	ASTM B16I/HPb57-3
12	Stem	Navel Brass B21M/HPb57-3
13	Handwheel (green)	A126B Cast Iron/HT 150
14	Identification Plate	Al
15	Handwheel Nut	Q235

Dimension:

Size		B		C		D		E		Weight	
in	mm	in	mm	in	mm	in	mm	in	mm	lb	kg
1	25	0.55	14	3.03	77	4.8	122	3.15	80	2.16	0.98
2	50	0.79	20	4.82	122.5	6.63	168.5	4.33	110	7.05	3.2