



BRONZE Y PATTERN CHECK VALVE

FIG.BZCY-125T

CLASS 125 BRONZE Y PATTERN SWING CHECK VALVE NPT ENDS

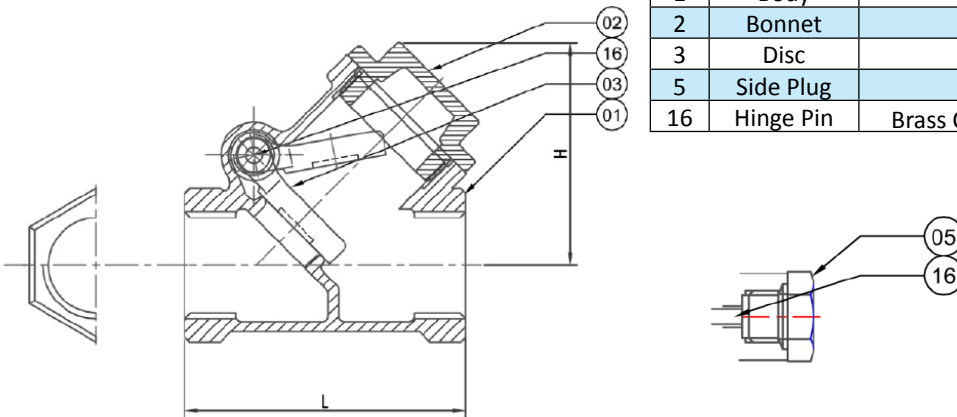
Features:

- Horizontal Swing type, NPT Ends, Screw Cap, Bronze Body, Disc and Bonnet
- Threaded Ends: ANSI B1.20.1
- 200 PSI non Shock - cold water, oil or gas
- 125 PSI Saturated Steam
- Test pressure: shell (hydro) 300PSI, Seat (hydro) 80PSI
- SS 304 Hinge Pin for 2 ½"-4"



Materials:

No.	Part Name	Specification
1	Body	Bronze C84400
2	Bonnet	Bronze C84400
3	Disc	Bronze C84400
5	Side Plug	Brass C36000
16	Hinge Pin	Brass C36000 - ¼"-2" SS 304 - 2 ½"-4"



Dimension:

Size		H		L		Weight	
in	mm	in	mm	in	mm	lbs.	kg.
½	15	1.69	43	2.17	55	0.55	0.25
¾	20	2	51	2.6	66	0.78	0.35
1	25	2.4	61	3.15	80	1.22	0.55
1 ¼	32	2.8	71	3.62	92	1.74	0.8
1 ½	40	3.15	80	4.33	110	2.5	1.15
2	50	3.75	95	5.04	128	3.79	1.7
2 ½	65	4.85	123	6.14	156	7.72	3.5
3	80	5.5	140	7.1	180	10.74	4.8
4	100	6.9	175	9.1	230	17.87	8.1