

STAINLESS STEEL GATE VALVE

FIG.SGA-2T

200 WOG THREADED ENDS SCREWED BONNET

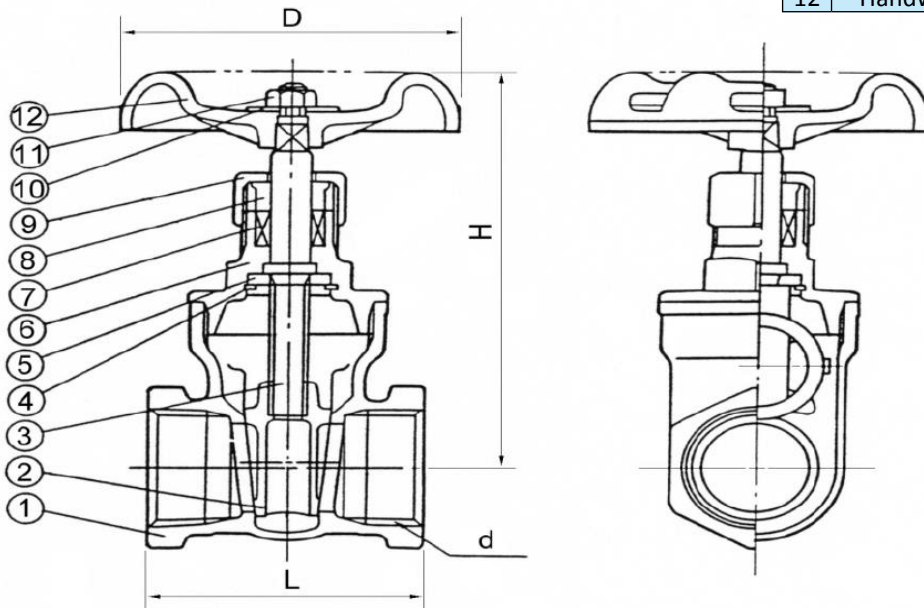
Features:

- Full Bore
- Threads to: ANSI B1.20.1



Materials List:

No.	Part Name	Specification
1	Body	A351 Gr. CF8M
2	Gate	A351 Gr. CF8M
3	Stem	A276 Type 316
4	Thrust Washer	PTFE
5	Stem Retainer	A276 Type 316
6	Bonnet	A351 Gr. CF8M
7	Packing	PTFE
8	Gland	A276 Type 316
9	Packing Nut	A351 Gr. CF8
10	Name Plate	Aluminum
11	Wheel Nut	A276 Type 304
12	Handwheel	Die Cast Aluminum



Dimension:

Size		L		d		H		D		Weight	
in	mm	in	mm	in	mm	in	mm	in	mm	lbs	kgs
½	15	2.12	54	0.59	15	3.74	95	2.76	70	0.95	0.43
¾	20	2.28	60	0.79	20	4.02	102	2.76	70	1.23	0.56
1	25	2.56	65	0.98	25	4.53	115	3.15	80	1.63	0.74
1 ¼	32	2.91	74	1.26	32	5.00	127	3.15	80	1.96	0.89
1 ½	40	3.07	78	1.50	38	5.91	150	3.54	90	2.16	0.98
2	50	3.42	87	1.97	50	6.69	170	3.94	100	4.25	1.93