

STAINLESS STEEL CHECK VALVE

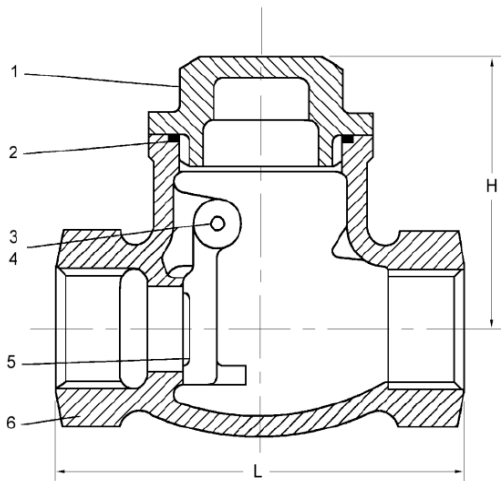
200 WOG T PATTERN SWING CHECK VALVE THREADED ENDS

FIG.SCT-2T



Features:

- Full Bore
- Investment Casting
- 200 WOG
- Threads to: ANSI B1.20.1
- Maximum temperature: 177° C (350° F)



Materials List:

NO.	Part Name	Specification
1	Cover	CF8M
2	Gasket	PTFE
3	Hinge	ANSI 316
4	Plug	ANSI 316
5	Disc	CF8M
6	Body	CF8M

Test Pressure:

	Shell	Seat
Hydrostatic	300 psi	220 psi
Air	-	85 psi

Dimension:

Size		H		L		Weight	
in	mm	in	mm	in	mm	lbs	kgs
1/2	15	1.81	46	2.60	66.00	0.73	0.33
3/4	20	2.13	54	3.19	81.00	0.93	0.42
1	25	2.36	60	3.58	91.00	1.54	0.70
1 1/4	32	2.83	72	4.19	106.50	2.20	1.00
1 1/2	40	2.95	75	4.76	121.00	3.31	1.50
2	50	3.23	82	5.59	142.00	4.63	2.10
2 1/2	65	3.54	90	6.26	159.00	8.36	3.80
3	80	4.09	104	7.48	190.00	12.98	5.90