

CAST IRON GATE VALVE

FIG.CIGA-125FO

CLASS 125 OS&Y GATE VALVE FLANGED ENDS BOLTED BONNET BRONZE TRIM

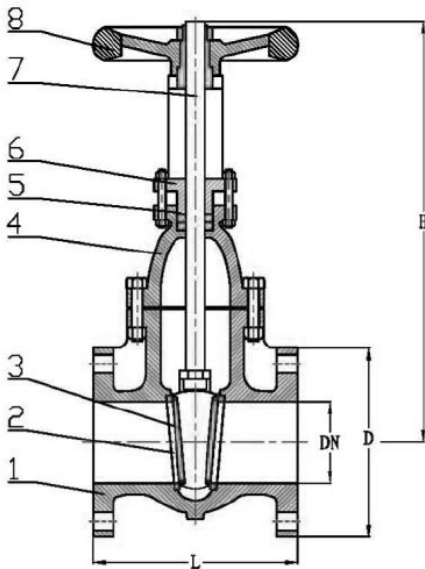


Features:

- Flange dimensions: ANSI B16.1
- Face-to-Face dimensions: ANSI B16.10
- Testing & Design: MSS-SP-70
- Working pressure: 125LB/150LB
- Working environment: Water, Oil, Steam
- Working temperature: ≤ 200°C

Materials List:

No.	Part Name	Specification
1	Body	ASTM A126B
2	Seat seal ring	Bronze
3	Disc	ASTM A126B with SS
4	Bonnet	ASTM A126B
5	Packing	Graphite
6	Gland	Ductile Iron (A395)
7	Stem	SS(410)
8	Handwheel	ASTM A126B



Dimensions:

Size		L		H		D	
in	mm	in	mm	in	mm	in	mm
2	50	7	178	10.43	265	6	152
2 ½	65	7 ½	190	11	280	7	178
3	80	8	203	12.2	310	7 ½	191
4	100	9	229	16.14	410	9	229
6	150	10 ½	267	22.05	560	11	279
8	200	11 ½	292	27.95	710	13 ½	343
10	250	13	330	34.84	885	16	406
12	300	14	356	43.31	1100	19	483
14	350	15	381	52.28	1328	21	533