

Grooved End Butterfly Valve

FIG.BT-300GL

300 WOG GROOVED END BUTTERFLY VALVE – Lever Handle



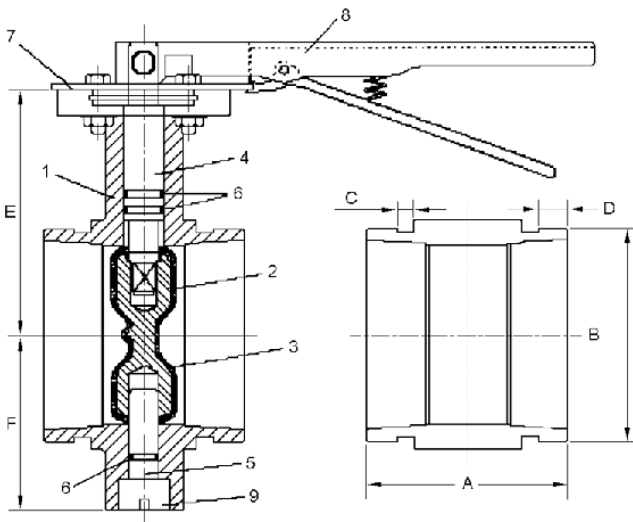
Features:

- Valves to MSS-SP67 & API 609
- Valves conform to AWWA C-606
- Maximum operating temperature:
 - EPDM encapsulated disc: 121 °C (250 °F)
 - Buna-N encapsulated disc: 88 °C (190 °F)

Test Pressures	Shell: 450 psi
	Seat: 330 psi

Materials List:

No.	Part Name	Specifications
1	Body	Ductile iron A536
2	Disc	Ductile iron A536
3	Rubber Lining	EPDM aa
4	Upper Stem	Stainless steel A433 410
5	Lower Stem	Stainless steel A433 410
6	O-Ring	Buna-N aa
7	Position Plate*	Carbon steel A27-91 65-35
8	Lever Handle	Malleable iron A47-90 22010
9	Plug	Steel



Temperature range of seats	
Material	Range
Buna-N	-12° C~+93° C
EPDM	-30° C~+140° C
Neoprene	-7° C~+107° C
Hypalon	-18° C~+149° C
Viton	-12° C~+140° C
PTFE	-20° C~+121° C

Options:

- Buna-N lining on disc
- Manual gear operator, electric or pneumatic actuation.

Dimensions:

Size		A		B		C		D		E		F		Weight	
in	mm	in	mm	in	mm	in	mm	in	mm	in	mm	in	mm	lb	kg
2	50	3.2	81	2.4	60	0.31	8	0.63	16	3.3	85	2.2	57	5.9	2.7
2 ½	65	3.8	97	2.9	73	0.31	8	0.63	16	4.2	106	2.6	65	7.5	3.4
3	80	3.8	97	3.5	89	0.31	8	0.63	16	4.4	113	3	75	8.6	3.9
4	100	4.6	116	4.5	114	0.39	10	0.63	16	5.3	135	3.5	90	11.9	5.4
5	125	5.8	148	5.6	141	0.39	10	0.63	16	5.8	148	4.3	110	20	9.1
6	150	5.8	148	6.6	168	0.39	10	0.63	16	7.1	181	4.9	124	23	10.5
8	200	5.3	134	8.6	219	0.43	11	0.75	19	8	204	6.1	155	37.4	17
10	250	6.3	159	10.7	273	0.51	13	0.75	19	9.1	230	7.5	190	84	38.1
12	300	6.5	166	12.8	324	0.51	13	0.75	19	10.6	270	9.1	230	100	45.4