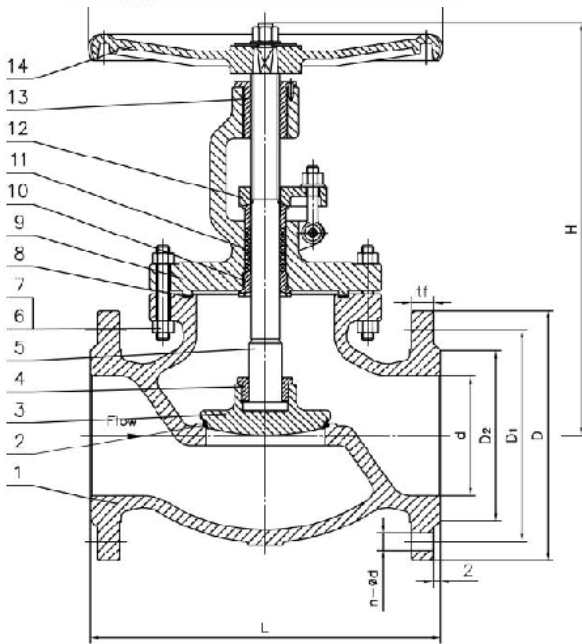


CAST STEEL GLOBE VALVE

FIG.CSGL-150F

CLASS 150 FLANGED ENDS BOLTED BONNET WCB BODY & BONNET TRIM 8



Features:

- Flange dimensions: ANSI B16.5
- Face-to-Face dimensions: ANSI B16.10
- Temperature and Pressure: ASME B16.34
- Testing: API 598
- Design: BS 1873, B16.34

Materials List:

No.	Part Name	Specification
1	Body	ASTM A216 WCB
2	Valve Seal	INT+STL6
3	Disc	ASTM A105+13Cr
4	Disc Nut	Carbon Steel
5	Stem	ASTM A182 F6a
6	Bonnet Bolt	ASTM A193 B7
7	Bonnet Nut	ASTM A194 2H
8	Winded Gasket	Graphite + SS
9	Bonnet	ASTM A216 WCB
10	Backseat Bushing	ASTM A276 420
11	Stem Packing	Flexible Graphite
12	Gland Flange	ASTM A216 WCB
13	Stem Nut	Copper Alloy
14	Hand Wheel	ASTM A536 60-40-18

Note:

Other body materials and trims are available upon request

Dimensions:

Size		L		H		ØW		d	D	D1	D2		b		n-Ød			
in	mm	in	mm	in	mm	in	mm	mm	mm	mm	mm	mm	mm					
2	50	8	203	12.91	328	8	200	1.97	50	5.98	152	4.75	120.7	3.62	92	0.63	16	4-Ø19
3	80	9 ½	241	14.69	373	10	250	2.99	76	7.48	190	6	152.4	5	127	0.77	19.5	4-Ø19
4	100	11 ½	292	15.75	400	12	300	6	150	9.02	229	7.5	190.5	6.18	157	0.95	24	8-Ø19
6	150	16	406	20.79	528	13.78	350	6	150	10.98	279	9.5	241.3	8.5	215.9	1.02	25.9	8-Ø22
8	200	19 ½	495	25.91	658	15.75	400	8	200	13.5	343	11.75	298.5	10.63	269.9	1.14	29	8-Ø22
10	250	24 ½	622	30.51	775	17.72	450	10	250	15.95	405	14.25	362	12.75	323.8	1.2	30.6	12-Ø25
12	300	27 ½	698	34.65	880	23.62	600	12	300	19.02	483	17	431.8	15	381	1.27	32.2	12-Ø25