

CAST STEEL CHECK VALVE

FIG.SDDCV-150W
FIG.CDDCV-150W

CLASS 150 WAFER STYLE DUAL DOOR

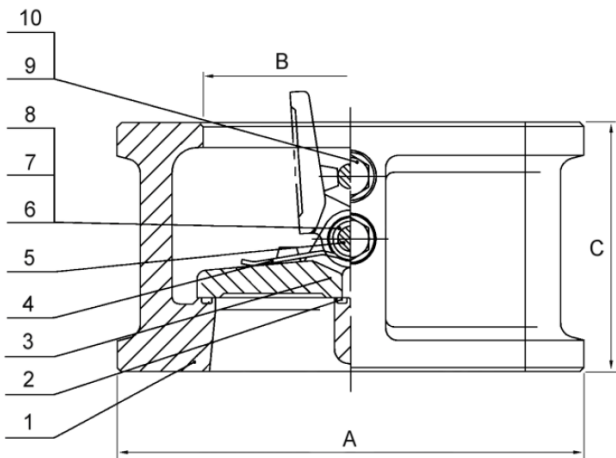


Features:

- Economical, lightweight, compact design – significantly lighter and less expensive than comparable swing check valves.
- Easy to install and maintain.
- Smooth, spring assisted closing reduces water hammer.
- Long-legged springs allow plates to open/close without seat scrubbing.
- Rugged Inconel X-750 spring is standard in all steel & stainless steel valves.
- Innovative 316SS seat, standard in all WCB metal seated valves, combined with standard 316SS plates provides a true all stainless steel seating area.
- All WCB & 316SS valves conform to NACE MR-01-75. Manufactured to API 594 & tested to API 598.

Materials List:

No.	Part Name	WCB/316SS	316SS/316SS
1	Body	A216 - WCB	A351 CF8M
2	Seat	316SS or Viton	316SS or Viton
3	Disc	316SS	316SS
4	Spring	INCONEL X-750	INCONEL X-750
5	Pin shaft	316SS	316SS
6	End hold ring	316SS	316SS
7	Centre hold ring	316SS	316SS
8	Spring seat	316SS	316SS
9	Washer	316SS	316SS
10	Screw	316SS	316SS



Note:

Valve must be installed with disc hinge pin in the vertical position, to ensure proper operation

Dimensions:

Size		Class	B		A		C		Weight	
in	mm		in	mm	in	mm	in	mm	lb	kg
2	50	150	2.375	60.30	4.125	105	2.375	60.50	6	2.70
		300	2.375	60.30	4.125	111	2.375	60.50	7	3.20
		600	2.375	60.30	4.375	111	2.375	60.50	7	3.20
		900	2.375	60.30	4.375	143	2.75	69.85	14	6.40
		1500	2.375	60.30	5.625	143	2.75	69.85	14	6.40
		2500	2.375	60.30	5.75	146	2.75	69.85	15	6.80
2 ½	65	150	2.875	73.00	4.875	124	2.62	66.55	10	4.50
		300	2.875	73.00	5.125	130	2.62	66.55	11	5.00
		600	2.875	73.00	5.125	130	2.62	66.55	11	5.00
		900	2.875	73.00	6.50	165	3.25	83.00	16	7.30
		1500	2.875	73.00	6.50	165	3.25	83.00	16	7.30
		2500	2.875	73.00	6.625	168	3.25	83.00	22	10.00



CAST STEEL CHECK VALVE

Dimensions:

Size		Class	B		A		C		Weight	
in	mm		in	mm	in	mm	in	mm	lb	kg
3	80	150	3.50	88.80	5.375	137.00	2.875	73.15	13	5.90
		300	3.50	88.80	5.875	149.00	2.875	73.15	15	6.80
		600	3.50	88.80	5.875	149.00	2.875	73.15	15	6.80
		900	3.50	88.80	6.625	168.00	3.25	82.55	24	10.90
		1500	3.50	88.80	6.875	174.60	3.25	82.55	25	11.30
		2500	3.50	88.80	7.75	197.00	3.375	85.85	31	14.10
4	100	150	4.50	114.80	6.875	175.00	2.875	73.15	17	7.70
		300	4.50	114.80	7.125	181.00	2.875	73.15	18	8.20
		600	4.50	114.80	7.625	194.00	3.12	79.25	26	11.80
		900	4.50	114.80	8.125	206.40	4.00	101.60	40	18.10
		1500	4.50	114.80	8.25	209.60	4.00	101.60	43	19.50
		2500	4.50	114.80	9.25	235.00	4.12	104.70	54	24.50
5	125	150	5.62	142.80	7.75	197.00	3.38	86.00	27	12.20
		300	5.62	142.80	8.50	216.00	3.38	86.00	35	15.90
		600	5.62	142.80	9.50	241.00	4.125	105.00	50	22.70
6	150	150	6.625	168.00	8.75	222.00	3.875	98.55	35	16.00
		300	6.625	168.00	9.875	251.00	3.875	98.55	45	20.00
		600	6.625	168.00	10.50	267.00	5.375	136.70	80	36.00
		900	6.625	168.00	11.38	289.00	6.25	158.80	115	52.00
		1500	6.625	168.00	11.13	282.60	6.25	158.80	110	50.00
		2500	6.625	168.00	12.50	318.00	6.25	158.80	190	86.00
8	200	150	8.625	219.30	11.00	279.00	5.00	127.00	70	32.00
		300	8.625	219.30	12.13	308.00	5.00	127.00	82	37.00
		600	8.625	219.30	12.64	321.00	6.50	165.10	135	61.00
		900	8.625	219.30	14.13	358.80	8.125	206.30	229	104.00
		1500	8.625	219.30	13.88	352.40	8.125	206.00	219	99.00
		2500	8.625	219.30	15.25	387.00	8.125	206.00	285	129.00
10	250	150	10.75	273.10	13.38	340.00	5.75	146.00	106	48.00
		300	10.75	273.10	14.25	362.00	5.75	146.00	125	57.00
		600	10.75	273.10	15.75	400.00	8.375	212.90	238	108.00
		900	10.75	273.10	17.13	435.00	9.50	241.30	388	176.00
		1500	10.75	273.10	17.13	435.00	9.75	247.70	397	180.00
		2500	10.75	273.10	18.75	476.00	10.00	254.00	502	228.00
12	300	150	12.75	324.00	16.13	410.00	7.12	180.80	172	78.00
		300	12.75	324.00	16.13	422.00	7.12	180.80	200	91.00
		600	12.75	324.00	18.00	457.00	9.00	228.60	333	151.00
		900	12.75	324.00	19.63	498.50	11.50	292.10	540	245.00
		1500	12.75	324.00	20.50	520.70	12.00	305.00	725	329.00
		2500	12.75	324.00	21.63	549.00	12.00	305.00	963	437.00
14	350	150	14.00	355.60	17.75	451.00	7.25	184.20	200	91.00
		300	14.00	355.60	19.13	486.00	8.75	222.30	325	147.00
		600	14.00	355.60	19.38	492.00	10.75	273.00	455	206.00
		900	14.00	355.60	20.50	520.70	14.00	355.60	**	**
		1500	14.00	355.60	22.75	577.90	14.00	355.60	**	**
16	400	150	16.00	406.00	20.25	514.00	7.50	190.50	275	125.00
		300	16.00	406.00	21.25	540.00	9.12	213.60	415	188.00
		600	16.00	406.00	22.25	565.00	12.00	304.80	640	290.00
		900	16.00	406.00	22.63	574.70	15.12	384.00	**	**
		1500	16.00	406.00	25.25	641.00	15.12	384.00	**	**
18	450	150	17.00	433.00	21.63	549.00	8.00	203.20	315	143.00
		300	17.00	433.00	23.50	597.00	10.38	263.60	555	252.00
		600	17.00	433.00	24.13	613.00	14.25	362.00	890	404.00
		900	17.00	433.00	25.13	638.20	17.75	450.90	1318	598.00
		1500	18.00	457.00	27.75	705.00	18.44	468.00	**	**
20	500	150	20.00	508.00	23.88	606.00	8.62	219.00	435	197.00
		300	20.00	508.00	25.75	654.00	11.50	292.10	725	329.00
		600	20.00	508.00	26.88	683.00	14.50	368.30	1120	508.00
		900	17.00	433.00	25.13	638.20	17.75	450.90	1426	647.00
24	600	150	24.00	610.00	28.25	718.00	8.75	222.00	620	281.00
		300	24.00	610.00	30.50	775.00	12.50	318.00	1100	499.00
		600	24.00	610.00	31.13	791.00	17.25	438.00	2040	925.00
30	750	150	30.00	762.00	34.75	883.00	13.00	330.00	1230	558.00
		300	30.00	762.00	37.50	953.00	15.69	398.00	2050	930.00
36	900	150	36.00	915.00	41.25	1048.00	15.25	387.00	2017	915.00