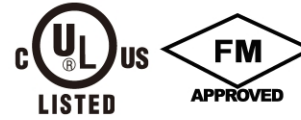
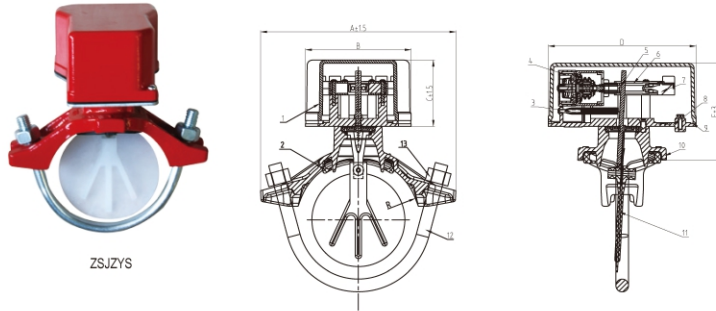


Water Flow Indicator with Retard

Fig. No. ZSJZYS



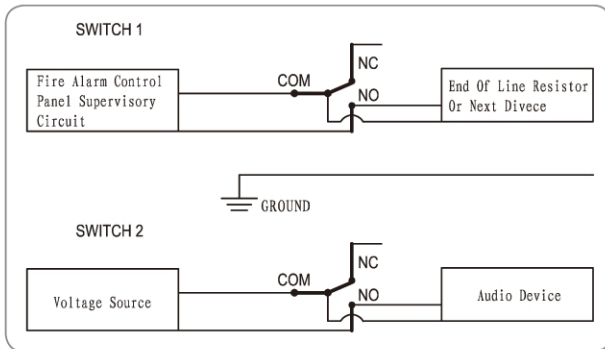
- Connection Ends: AWWA C606
- Working Pressure: 363PSI and 300PSI
200PSI and 250PSI available upon request
- Temperature Range: 0°C - 68°C
- Coating: Fusion Bonded Epoxy Coating in accordance with ANSI/AWWA C550
- Electrical Ratings: 125/250VAC 5A 24/30VDC 3A
- Minimum Flow Rate For Alarm: 4-10 gpm

MATERIAL SPECIFICATION

Part No.	Part	Standard Specification
1	Cover	ASTM B85-96 383.0E
2	Body Gasket	EPDM
3	Spring	AISI 304
4	Air Delay Device	PC GV3410R
5	Stem Seal Assembly	SS304+NBR
6	Connecting Rod	POM 500P
7	Switch Assembly	PC GV3410R
8	Connection Plate	ASTM B85-96 383.0E
9	Connection Plate Seal	NBR
10	Body	ASTM A536, 65-45-12
11	Vane Assembly	PE
12	U-Bolts	Carbon Steel Zinc Plated
13	Nuts	Carbon Steel Zinc Plated

Note: For special material request other than standard specification, please indicate clearly on the inquiry or order list.

WIRING DIAGRAM



DN		Dimensions(mm)							
Inch	mm	R	A±1.5	B	C±1.5	D	E±3	Hole Dia. +1.6/0	Certificate
2"	50	60.3	116	100	63	140	83.5	30	UL/FM
2.5"	65	73	120	100	63	140	83.5	30	UL/FM
2.5"	65	76.1	122	100	63	140	83.5	30	UL/FM
3"	80	88.9	145	100	63	140	94	51	UL/FM
4"	100	114.3	185	100	63	140	94.5	51	UL/FM
5"	125	139.7	212	100	63	140	94.5	51	UL/FM
5"	125	141.3	212	100	63	140	94.5	51	UL/FM
6"	150	165.1	254	100	63	140	95	51	UL/FM
6"	150	168.3	254	100	63	140	95	51	UL/FM
8"	200	219.1	298	100	63	140	95	51	UL/FM
10"	250	273.0	381	100	63	140	97.5	70	—

Note: Size 10" is not UL/FM listed.