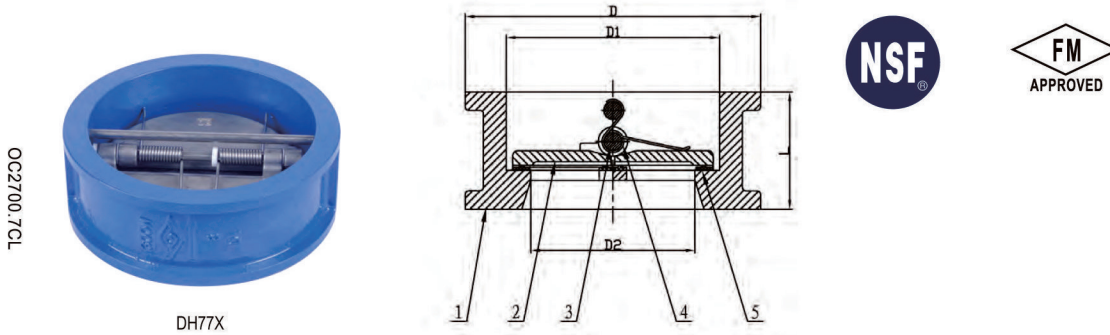


Double Door Wafer Check Valve

Fig. No. DH77X



- Connection Ends: ASME B16.1 CL 125, ASME B16.5 CL 150
- Working Pressure: 300PSI
200PSI and 250PSI available upon request
- Temperature Range: 0°C- 80°C
- Coating: Fusion Bonded Epoxy Coating in accordance with ANSI/AWWA C550

MATERIAL SPECIFICATION

Part No.	Part	Standard Specification	Options
1	Body	ASTM A536, 65-45-12	
2	Disc	ASTM A536, 65-45-12	AISI 304, AISI 316, AL-Bronze UNC 95400
3	Stem	AISI 420	AISI 304, AISI 316, AISI 416
4	Spring	AISI 304	AISI 316
5	Rubber Seat	EPDM	NBR

Note: For special material request other than standard specification, please indicate clearly on the inquiry or order list.

DN		Dimensions(mm)			
Inch	mm	L	D	D1	D2
2"	50	54	102	64	46
2.5"	65	54	121	78	60
3"	80	57	134	94	70
4"	100	64	162	117	84
5"	125	70	192	145	115
6"	150	76	217	170	134
8"	200	95	273	224	184
10"	250	108	328	265	220
12"	300	143	407	310	260
14"	350	184	449	360	302
16"	400	192	511	410	350
18"	450	203	544	450	385