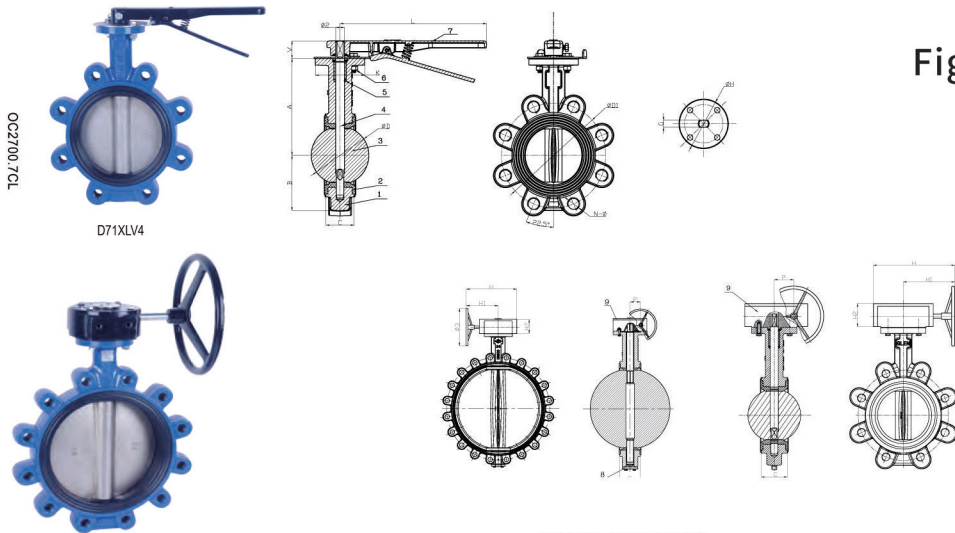


# Lugged Wafer Butterfly Valve



Fig. No. D71XLV4 & D371XLV4



MATERIAL SPECIFICATION

Part No.	Part	Standard Specification	Options
1	Valve Body	ASTM A536, 65-45-12	
2	Seat	EPDM Vulcanized on Valve Body	EPDM/NBR Vulcanized on Valve Body; Soft Seat in EPDM/NBR;
3	Disc	ASTM A536, 65-45-12	AISI 304, AISI 316, AL-Bronze UNC 95400
4	Stem	DN50~350: AISI 420, One-Piece Stem Design DN400~800: AISI 431, Two-Piece Stem Design	AISI 304, AISI 316, AISI 416, AISI 431
5	O-Ring	NBR	EPDM
6	Bushing	DN40-DN350: Nylon 1010 DN400-DN800: Lubricating Bronze	PTFE
7	Lever	ASTM A536, 65-45-12	Aluminum
8	Shaft Cover	ASTM A536, 65-45-12	
9	Gear	ASTM A536, 65-45-12	

Note: For special material request other than standard specification, please indicate clearly on the inquiry or order list.

- Design Standard: MSS SP-67
- Connection Ends: ASME B16.42 CL 150
- Top Flange Standard: ISO 5211  
Stem drive by keys, parallel or diagonal square or flat head
- Working Pressure: 300PSI  
175PSI, 200PSI and 250PSI available upon request
- Temperature Range: 0°C- 80°C
- Coating: Fusion Bonded Epoxy Coating in accordance with ANSI/AWWA C550

DN		Dimensions(mm)																
Inch	mm	A	B	V	C	ØD	Ø2	ØK	G	L	ØD1	N-M	ISO5211	Ø3	H	H1	H2	P
2"	50	140.5	64.5	32	43	53.9	14	90	9.53	267	120.7	4-5/8	F07	150	206	158	52	43.5
2.5"	65	153	72	32	46	65.2	14	90	9.53	267	139.7	4-5/8	F07	150	206	158	52	43.5
3"	80	157.5	86	32	46	79.7	14	90	9.53	267	152.4	4-5/8	F07	150	206	158	52	43.5
4"	100	176	100	32	52	105	16	90	11.14	267	190.5	8-5/8	F07	150	206	158	52	43.5
5"	125	191	112	32	56	130	16	90	11.14	267	215.9	8-3/4	F07	150	206	158	52	43.5
6"	150	202.5	128	32	56	155.8	20	90	12.7	267	241.3	8-3/4	F07	150	206	158	52	43.5
8"	200	243.5	162	45	60	206.7	26	125	20.6	355.6	298.5	8-3/4	F10	300	310	239	69	62.5
10"	250	273	194	45	68	253.3	26	125	20.6	355.6	362	12-7/8	F10	300	310	239	69	62.5
12"	300	311	223	45	78	301.9	28	125	22.1	490	431.8	12-7/8	F10	300	307	229	73	77.5
14"	350	340	267	48	78	333.9	31.6	150	22.1	-	476.3	12-1	F12	300	307	229	73	77.5
16"	400	400	319.5	48	102	389.6	33.2	175	27	-	539.8	16-1	F14	380	418	288	110	120
18"	450	422	345.4	48	114	441	38.1	175	27	-	577.9	16-1 1/8	F14	380	418	288	110	120
20"	500	480	380	70.2	127	492.4	41.2	210	-	-	635	20-1 1/8	F16	380	465	215	123	185
24"	600	562	441	70.2	154	592.8	50.6	210	-	-	749.3	20-1 1/4	F16	380	500	215	129	185